

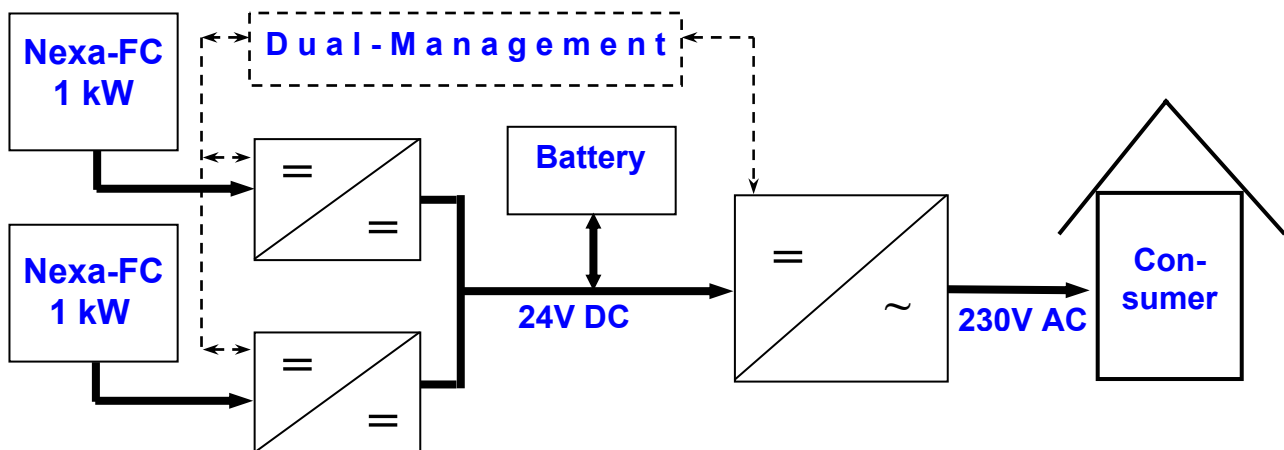
# N e x a - P o w e r - R a c k

Autarkic Fuel Cell System  
2000 W



**N e x a - P o w e r - R a c k** is a fuel cell system for production of electrical energy supplied by hydrogen. The rack combines internal two autonomous stacks controlled by a superior management system. The functional principle of the management system multiplies the durability compared to a single stack.

**N e x a - P o w e r - R a c k** can be used as an integral part of a regenerative energy system and also as an uninterruptible power supply. Its electrical power output is dimensioned to supply a one-family-house or isolated areas with limited consumption.



- Maximum output 2000 Watt electrical power
- Energy carrier hydrogen = regenerative producible
- Low noise, zero-emission & mobile
- Extended durability by Dual-Management made by University of Applied Sciences Stralsund